



Tsurumi ATEX

400V
50Hz

Submersible Sewage Pumps - Explosion-proof - ATEX Ex d IIB T4



BX-Series



- Channel impeller
- 2 poles / 4 poles
- 1,6 - 3,8kW motor output
- 80 - 100mm discharge bore

CX-Series

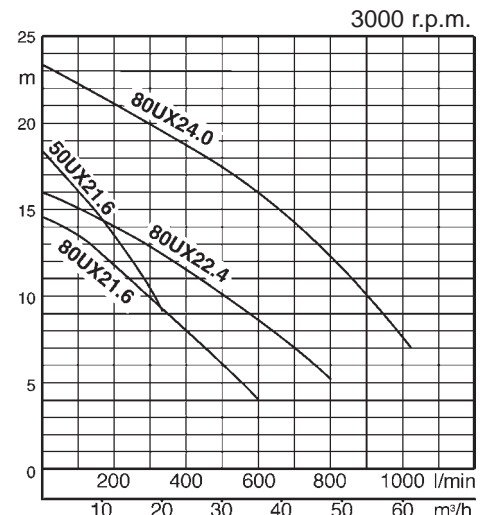
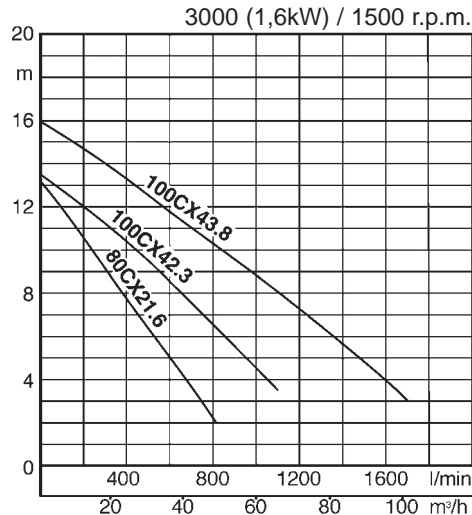
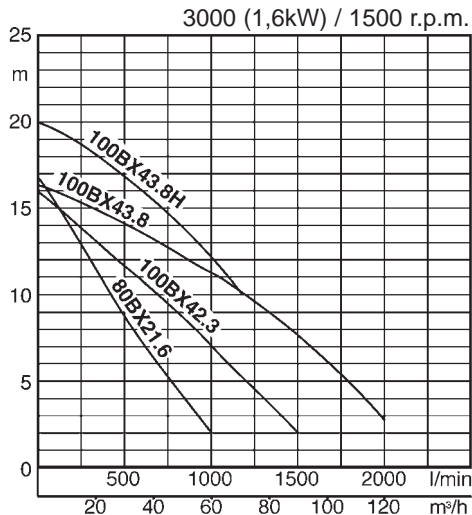


- Cutter mechanism
- 2 poles / 4 poles
- 1,6 - 3,8kW motor output
- 80 - 100mm discharge bore

UX-Series



- Vortex impeller
- 2 poles
- 1,6 - 4,0kW motor output
- 50 - 80mm discharge bore



BX

Standard Accessories:

- Cable
- JIS10K-flange

Channel Impeller

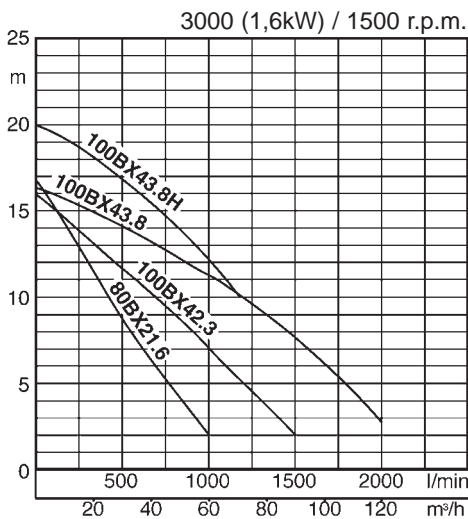


Optional Accessories:

- Guide Rail Fitting consisting of:
 - Duck foot bend
 - Pump lifting chain
 - Guide connector
 - Guide support / Guide hook
- Discharge Bend

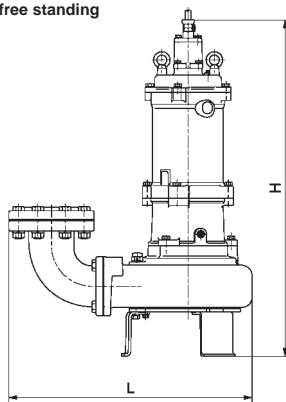


An impeller having a wide channel extending from inlet to exit, which prevents internal clogging by solids sucked in via the inlet.

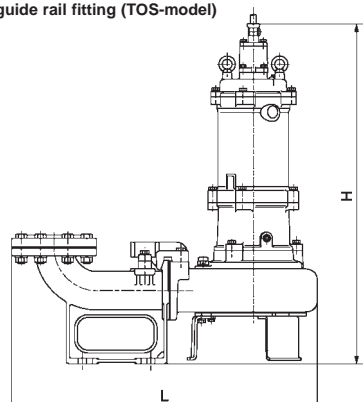


		Discharge bore mm		BX
		80	100	
Pumping Fluid	Type of Fluid	Wastewater, liquids carrying waste and solid matters		
	Liquid Temperature	0 - 40°C		
Pump	Components	Impeller	Channel impeller	
		Shaft Seal	Double mechanical seal	
		Bearing	Double-shielded ball bearings	
	Material	Impeller	FC200 (EN-GJL-200)	
		Casing	FC200 (EN-GJL-200)	
		Suction Cover	FC200 (EN-GJL-200)	
	Shaft Seal (mechanical Seal)	Silicon carbide in oil bath		
Motor	Type, Poles	Dry-type submersible induction motor, 2 (1,6kW) and 4 poles (2,3kW; 3,8kW), IP68		
	Insulation	Insulation class F		
	Phase / Voltage	Three-phase / 400V		
	Motor Protector (built-in)	Miniature thermal protector		
	Lubricant	Turbine oil (ISO VG32)		
	Material	Frame	FC200 (EN-GJL-200)	
		Shaft	Stainless Steel EN-X30Cr13	
Cable		Rubber, H07RN6Gx1,5mm ²		
Discharge Connection		JIS10K		

free standing



guide rail fitting (TOS-model)



Model (dimensions in mm)	free standing		guide rail fitting	
	L	H	L	H
80BX21.6	446	695	668	744
100BX42.3	597	761	754	775
100BX43.8	602	838	759	847
100BX43.8H	604	814	761	828

Specifications:

Bore mm	Model		Output kW	Phase	Total Head max.m	Capacity max. l/min	Starting method	Dry Weight kg (excluding cable)		Impeller passage dia. mm	Cable m
	free standing	guide rail fitting						Free standing	TOS-model		
80	80BX21.6	optional	1,6	Three	16,8	1000	D.O.L.	52	50	49x41	10
100	100BX42.3	optional	2,3	Three	16,0	1500	D.O.L.	79	75	47x53	10
100	100BX43.8	optional	3,8	Three	16,4	2000	D.O.L.	93	89	81x53	10
100	100BX43.8H	optional	3,8	Three	20,0	1180	D.O.L.	92	88	35x62	10

CX

Standard Accessories:

- Cable
- JIS10K-flange

Cutter Mechanism

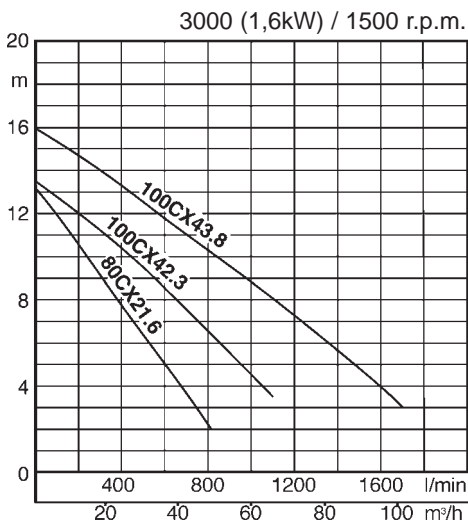


Optional Accessories:

- Guide Rail Fitting consisting of:
 - Duck foot bend
 - Pump lifting chain
 - Guide connector
 - Guide support / Guide hook
- Discharge Bend

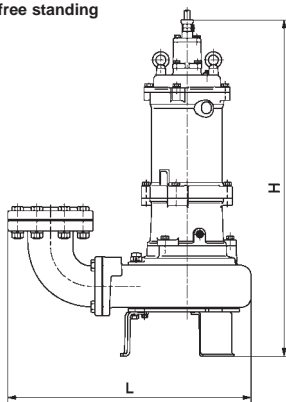


A “cutter mechanism” is provided by the combined action of a carbide blade integrated into a non-clog impeller and the saw-shaped inner surface of a suction cover.

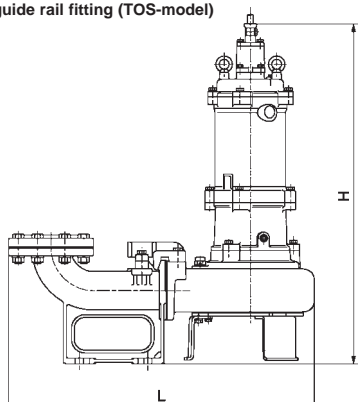


		Discharge bore mm		CX
		80	100	
Pumping Fluid	Type of Fluid	Wastewater, liquids carrying waste and solid matters		
	Liquid Temperature	0 - 40°C		
Pump	Components	Impeller	Channel impeller with cutter	
		Shaft Seal	Double mechanical seal	
		Bearing	Double-shielded ball bearings	
	Material	Impeller	FC200 (EN-GJL-200)	
		Casing	FC200 (EN-GJL-200)	
		Suction Cover	FCD700 (EN-GJS-700-2)	
	Shaft Seal (mechanical Seal)	Silicon carbide in oil bath		
Motor	Type, Poles	Dry-type submersible induction motor, 2 (1,6kW) and 4 poles (2,3kW; 3,8kW), IP68		
	Insulation	Insulation class F		
	Phase / Voltage	Three-phase / 400V		
	Motor Protector (built-in)	Miniature thermal protector		
	Lubricant	Turbine oil (ISO VG32)		
	Material	Frame	FC200 (EN-GJL-200)	
		Shaft	Stainless Steel EN-X30Cr13	
Cable		Rubber, H07RN6Gx1,5mm ²		
Discharge Connection		JIS10K		

free standing



guide rail fitting (TOS-model)



Model (dimensions in mm)	free standing		guide rail fitting	
	L	H	L	H
80CX21.6	446	695	668	744
100CX42.3	597	761	754	775
100CX43.8	602	838	759	847

Specifications:

Bore mm	Model		Output kW	Phase	Total Head max.m	Capacity max. l/min	Starting method	Dry Weight kg (excluding cable)		Impeller passage dia. mm	Cable m
	free standing	guide rail fitting						Free standing	TOS-model		
80	80CX21.6	optional	1,6	Three	13,2	810	D.O.L.	52	50	43x60	10
100	100CX42.3	optional	2,3	Three	13,5	1100	D.O.L.	78	74	67x56	10
100	100CX43.8	optional	3,8	Three	16,0	1700	D.O.L.	94	87	70x81	10

UX

Vortex Impeller



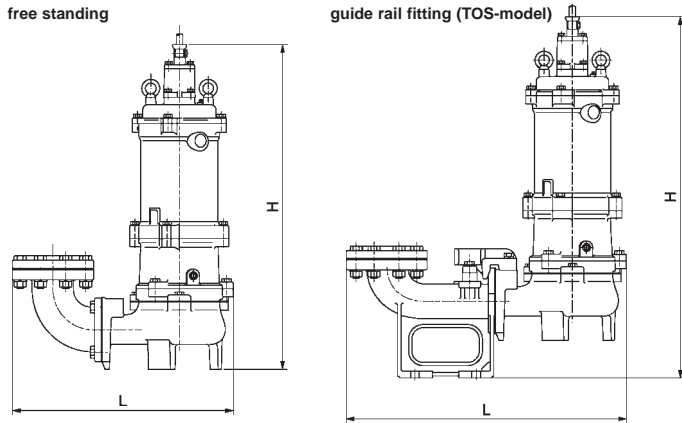
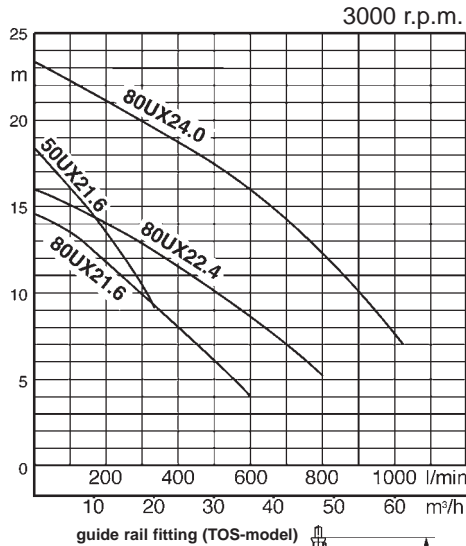
This impeller is used mainly to avoid clogging or wear by large or stringy solids in the water. It accelerates part of the water to great speed, and this speed is used to smoothly move all the water from inlet to outlet.

Standard Accessories:

- Cable
- Special screwed-in mating flange (50UX21.6)
- JIS10K-flange

Optional Accessories:

- Guide Rail Fitting consisting of:
 - Duck foot bend
 - Pump lifting chain
 - Guide connector
 - Guide support / Guide hook
- Discharge Bend



		Discharge bore mm		UX
		50	80	
Pumping Fluid	Type of Fluid	Wastewater, liquids carrying waste and solid matters		
	Liquid Temperature	0 - 40°C		
Pump	Components	Impeller	Vortex impeller	
		Shaft Seal	Double mechanical seal	
		Bearing	Double-shielded ball bearings	
	Material	Impeller	FC200 (EN-GJL-200)	
Casing		FC200 (EN-GJL-200)		
Shaft Seal (mechanical Seal)		Silicon carbide in oil bath		
Motor	Type, Poles	Dry-type submersible induction motor, 2 poles, IP68		
	Insulation	Insulation class F		
	Phase / Voltage	Three-phase / 400V		
	Motor Protector (built-in)	Miniature thermal protector		
	Lubricant	Turbine oil (ISO VG32)		
	Material	Frame	FC200 (EN-GJL-200)	
		Shaft	Stainless Steel EN-X30Cr13	
Cable		Rubber, H07RN6Gx1,5mm ²		
Discharge Connection		Special flange (1,6kW) / JIS10K		

Model (dimensions in mm)	free standing		guide rail fitting	
	L	H	L	H
50UX21.6	297	625	658	637
80UX21.6	420	658	607	760
80UX22.4	502	694	641	779
80UX24.0	502	742	641	827

Specifications:

Bore mm	Model		Output kW	Phase	Total Head max.m	Capacity max. l/min	Starting method	Dry Weight kg (excluding cable)		Impeller passage dia. mm	Cable m
	free standing	guide rail fitting						Free standing	TOS-model		
50	50UX21.6	optional	1,6	Three	18,4	330	D.O.L.	41	46	35	10
80	80UX21.6	optional	2,4	Three	14,5	600	D.O.L.	48	44	46	10
80	80UX22.4	optional	4,0	Three	16,0	800	D.O.L.	62	58	56	10
80	80UX24.0	optional	4,0	Three	23,5	1030	D.O.L.	71	67	56	10

We reserve the right to change specifications and designs herein for improvement without prior notice. Our pumps are for professional use only. In the event that Tsurumi (Europe) GmbH have, in exceptional cases taken over, a manufacturer's warranty, this entitles the end-user to assert remedy free of charge against Tsurumi (Europe) GmbH due to any defect to the product occurring during the guarantee period (see below), also then when the warranty claims against the seller do not or no longer exist. In the event of malfunction, which is attributable to the improper handling by the enduser, no guarantee claim shall arise. Further claims shall not result from the warranty, unless if something to the contrary has explicitly been determined. The decision as to whether remedy is effected by way of replacement or repair shall be at the choice of Tsurumi (Europe) GmbH. The claims shall be time barred after a period of three months after expiry of the guarantee period, however, not before expiry of the warranty period which is valid towards the seller. In the event of doubt, the warranty period shall correspond with the warranty period which is valid between the end-user and his seller.

Tsurumi (Europe) GmbH

Heltorfer Straße 14
 D-40472 Düsseldorf
 Tel.: +49-211-4179373
 Fax: +49-211-4791429
 Email: sales@tsurumi-europe.com
 www.tsurumi-europe.com

Your Dealer